



Replications Unlimited is one of the few artificial rock fabricators that specializes in custom pre-manufactured water and rockscapes. Incorporating custom water slides is another aspect of our fabrication capabilities.

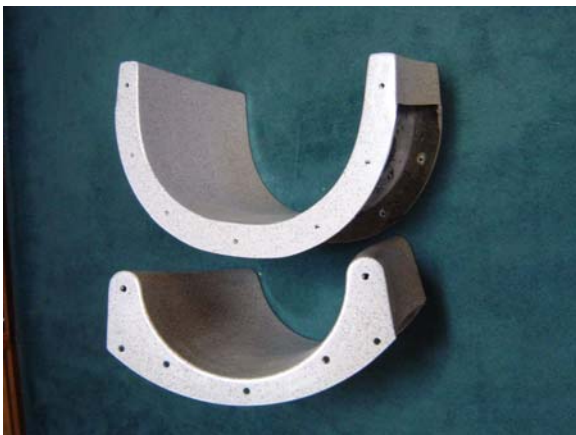
Replications Unlimited primarily works with Interfab waterslides due to their quality and balance of design versatility and pricing. While this document provides some ideas and a variety of slide designs—we can customize the shape and length to fit any pool design.

Interfab has two different series of water slides –

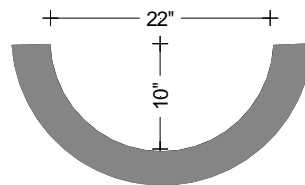
- Byos 1 series; their standard slide series
- Byos 2 series: a new slide series that is wider and deeper than the Byos 1 series.



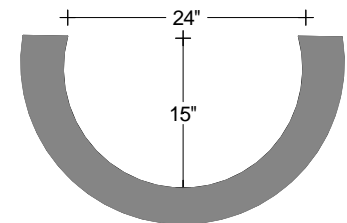
INTERFAB WATER SLIDE SPECIFICATIONS



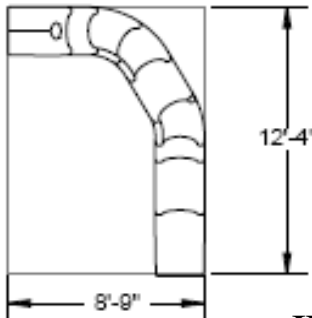
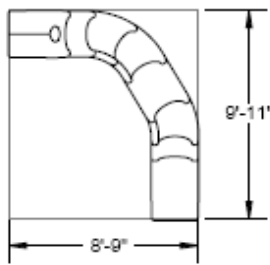
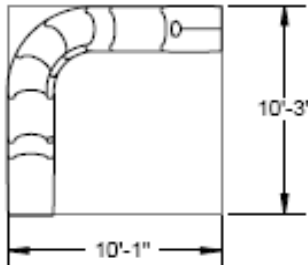
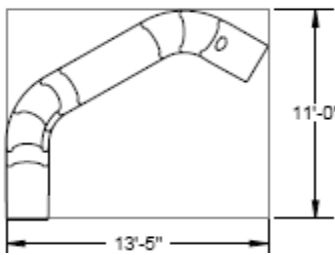
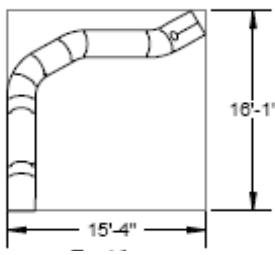
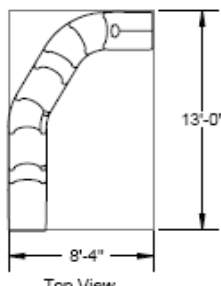
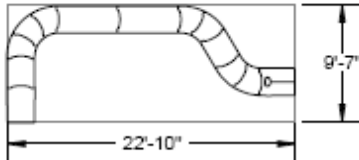
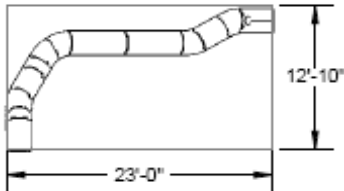
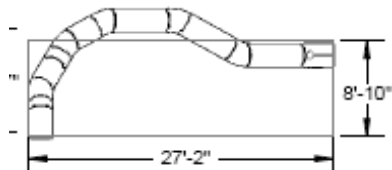
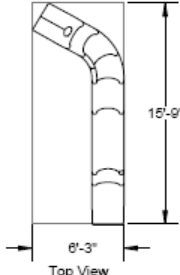
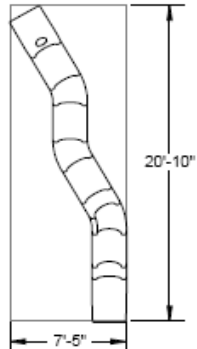
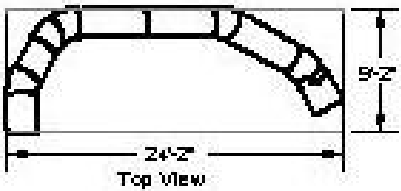
**BYOS 1
Series**



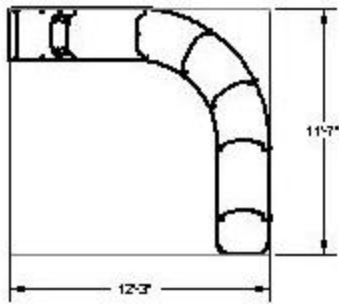
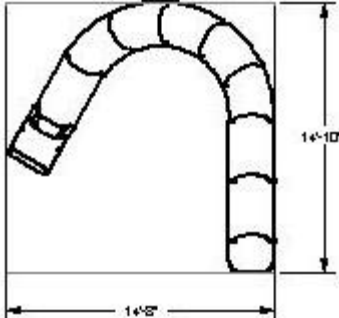
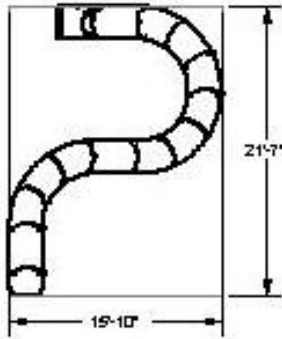
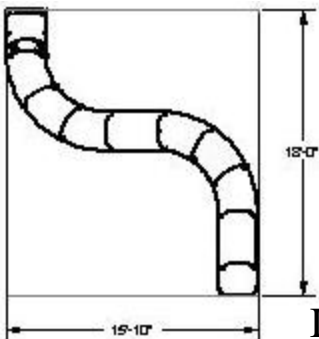
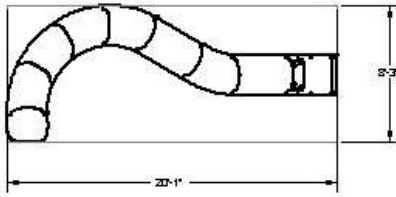
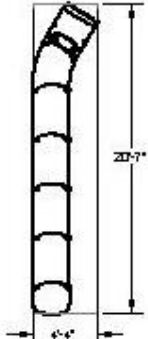
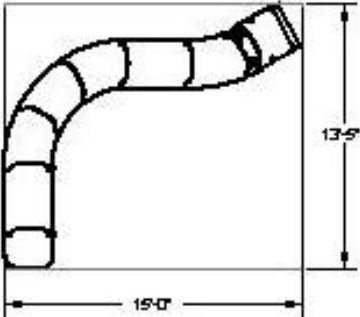
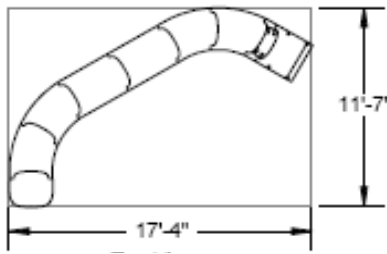
**BYOS 2
Series**



These are some examples of a few slide configurations. Other slide variations are available.

 <p style="text-align: center;">IF 1</p>	 <p style="text-align: center;">IF 2</p>	 <p style="text-align: center;">IF 3</p>
 <p style="text-align: center;">IF 4</p>	 <p style="text-align: center;">IF 5</p>	 <p style="text-align: center;">IF 6</p>
 <p style="text-align: center;">IF 7</p>	 <p style="text-align: center;">IF 8</p>	 <p style="text-align: center;">IF 9</p>
 <p style="text-align: center;">IF 10</p>	 <p style="text-align: center;">IF 11</p>	 <p style="text-align: center;">IF 12</p>

These are some examples of a few slide configurations. Other slide variations are available.

 <p style="text-align: right;">IF 50</p>	 <p style="text-align: right;">IF 51</p>	 <p style="text-align: right;">IF 52</p>
 <p style="text-align: right;">IF 53</p>	 <p style="text-align: right;">IF 54</p>	 <p style="text-align: right;">IF 55</p>
 <p style="text-align: right;">IF 56</p>	 <p style="text-align: right;">IF 57</p>	<p style="text-align: center;">IF 10</p>